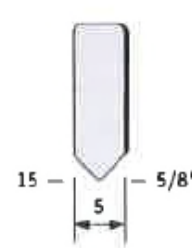





53.4

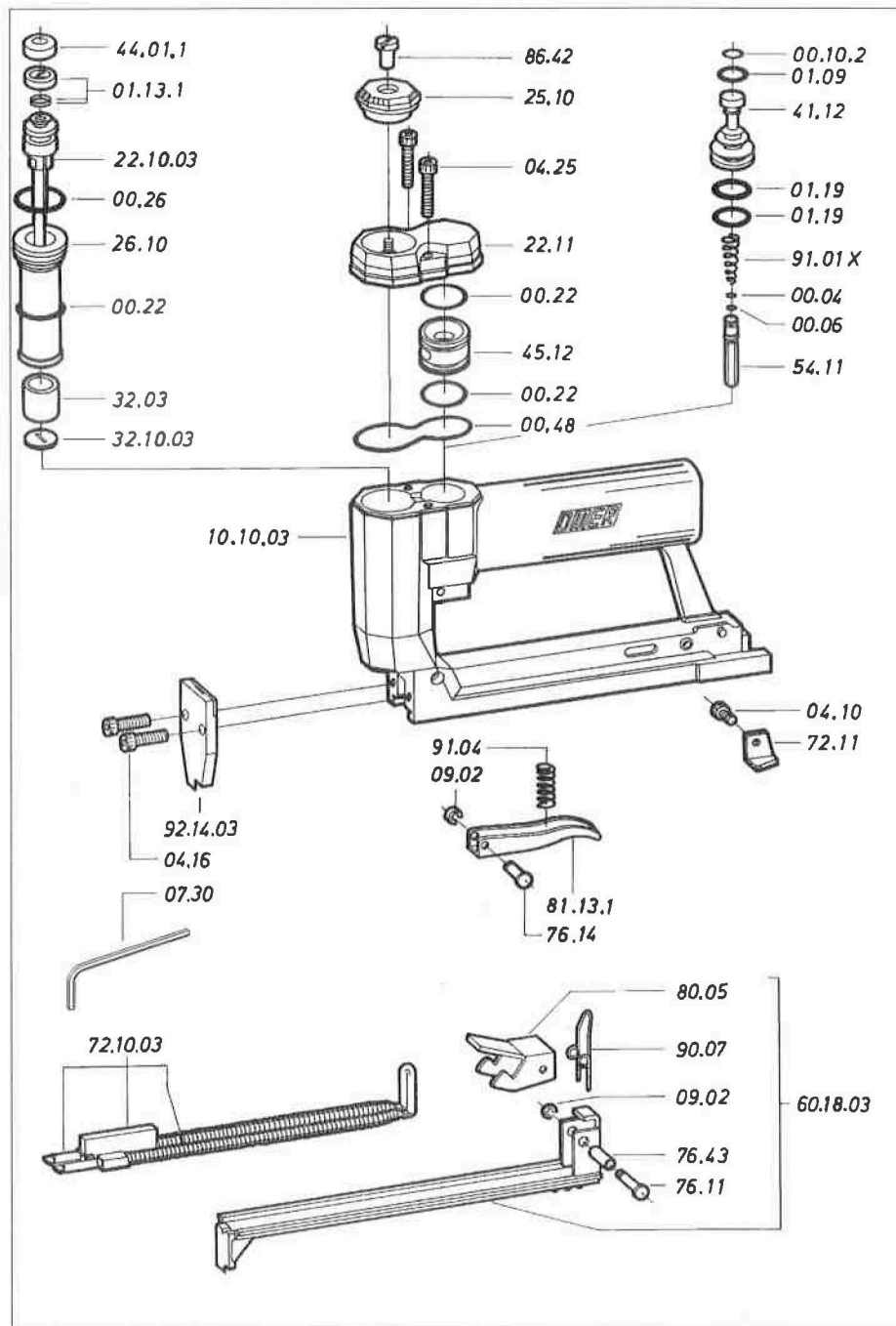
USE, MAINTENANCE & SPARE PARTS MANUAL



TECHNICAL DATA		Cod. 10880400
Usable lengths mm	15	Type of Fastener 53 Spessore 0.35+0.40  Width: .185" (3/16") Length: .59" Thickness: .0140" 
Magazine capacity, no. of fasteners	300	
Working pressure	4 ÷ 6 bar 60 ÷ 90 psi	
Air consumption litres/shot	0.10	
Weight kg	0.60	
Dimensions mm	200 x 33 x 153	
Sound pressure at work station EN 12549:1999 ISO 11201:1995	76.7 dB(A)	
Emitted sound power EN 12549:1999 ISO 3744:1994	82.2 dB(A)	
Weighted mean value of vibration on the grip EN 28662:1992 ISO 5349:1986 ISO 8662-11	<2.5 M/S ²	February 2019

SPARE PARTS

Cod.	Description
00.04	O-Ring
00.06	O-Ring
00.10.2	O-Ring
00.22	O-Ring
00.26	O-Ring
00.48	O-Ring
01.09	O-Ring
01.13.1	Gasket
01.19	O-Ring
04.10	Screw
04.16	Screw
04.25	Screw
07.30	Hex. Bar wrench
09.02	Elastic ring
22.11	Head
25.10	Exhaust deflector
26.10	Cylinder
32.03	Bumper
41.12	Valve
44.01.1	Bumper
45.12	Ring
54.11	Trigger valve
72.11	Slider stop
76.11	Pin
76.14	Pin
76.43	Pin
80.05	Trigger
81.13.1	Trigger
86.42	Deflector screw
90.07	Spring
91.01X	Spring
91.04	Spring
10.10.03	Body
22.10.03	Driver
32.10.03	Washer
60.18.03	Slider
72.10.03	Pusher
92.14.03	Nose plate



O-RINGS

